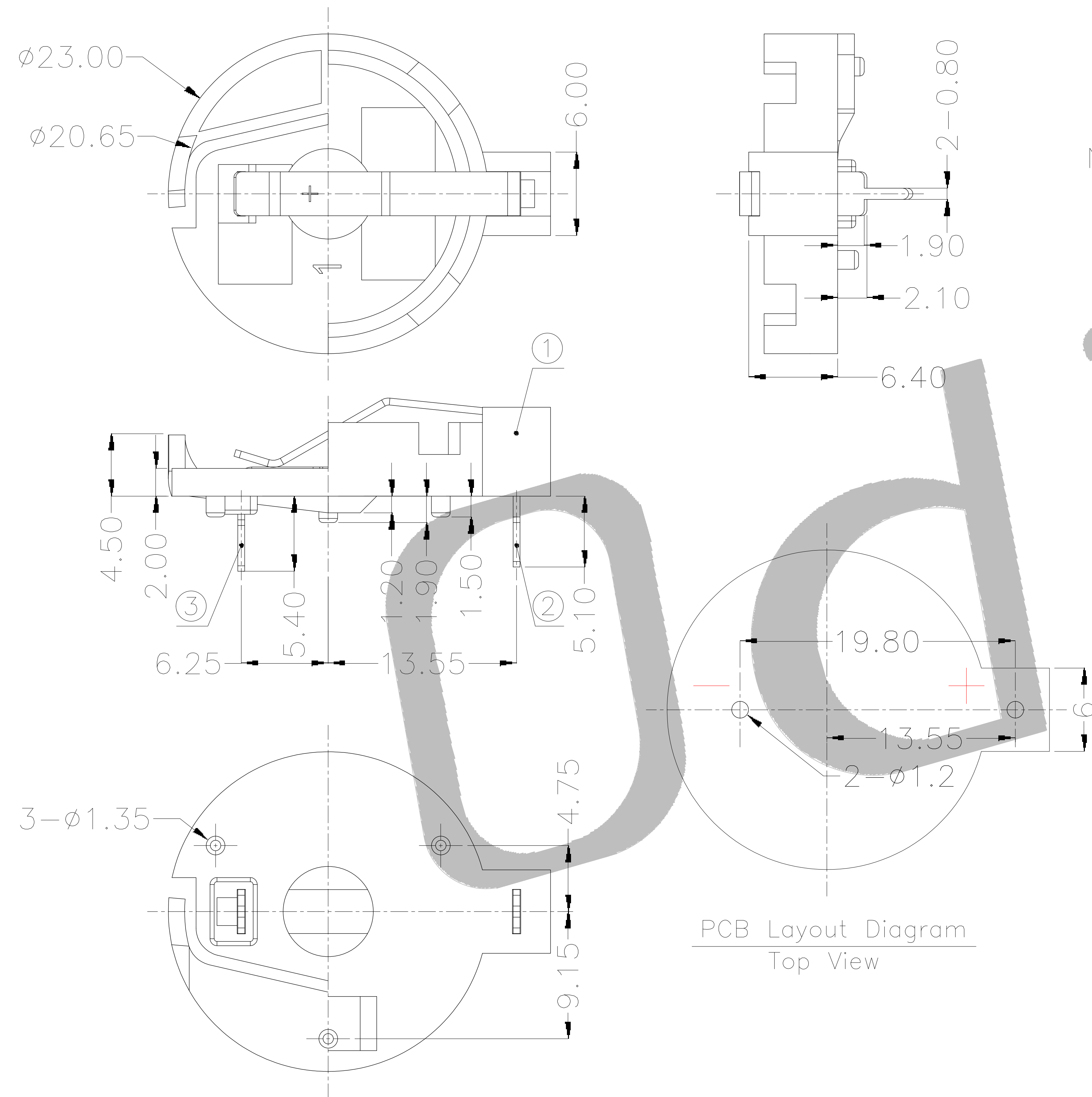


仅供参考 Reference Only



NOTE:  
 1.MATERIAL:  
 a.HOUSING:PBT  
 b.CONTACT:Mn Steel  
 (SURFACE PLATING: Ni100u"-120u")  
 SEE ORDERING INFORMATION  
 2.ELECTRIC:  
 a.CONTACT RESISTANCE: 30 MILLIOHMS MAX  
 b.INSULATION RESISTANCE: 1000 MEGA OHMS MIN  
 c.DIELECTNIC VOLTAGE: 500V AC ONE SEC LEVEL  
 d.OPERATING TEMPERATURE: -25°C~ +85°C

PCB Layout Diagram  
Top View

客户品名	
客户料号	
E	
D	
C	
B	
A	RELEASED
REV	ECN.NO.

Units	mm	Scale	2:1
Tolerance Unless Otherwise Specified			
X.X	~	±0.25	
X.XX	~	±0.20	
X.XXX	~	±0.10	
Angle	~	±0.50°	

Drawing By	Date
Reviewed By	Date
Approvai By	Date

**Odia**® 广东澳迪亚电子有限公司  
 HTTP://WWW.ODIACHINA.COM

Date	2020/5/10	Title	BS-2032-3DIP
Sheet	1 of 1		
Third Angle Projection		Drawing No.	REV
		F/Name	A