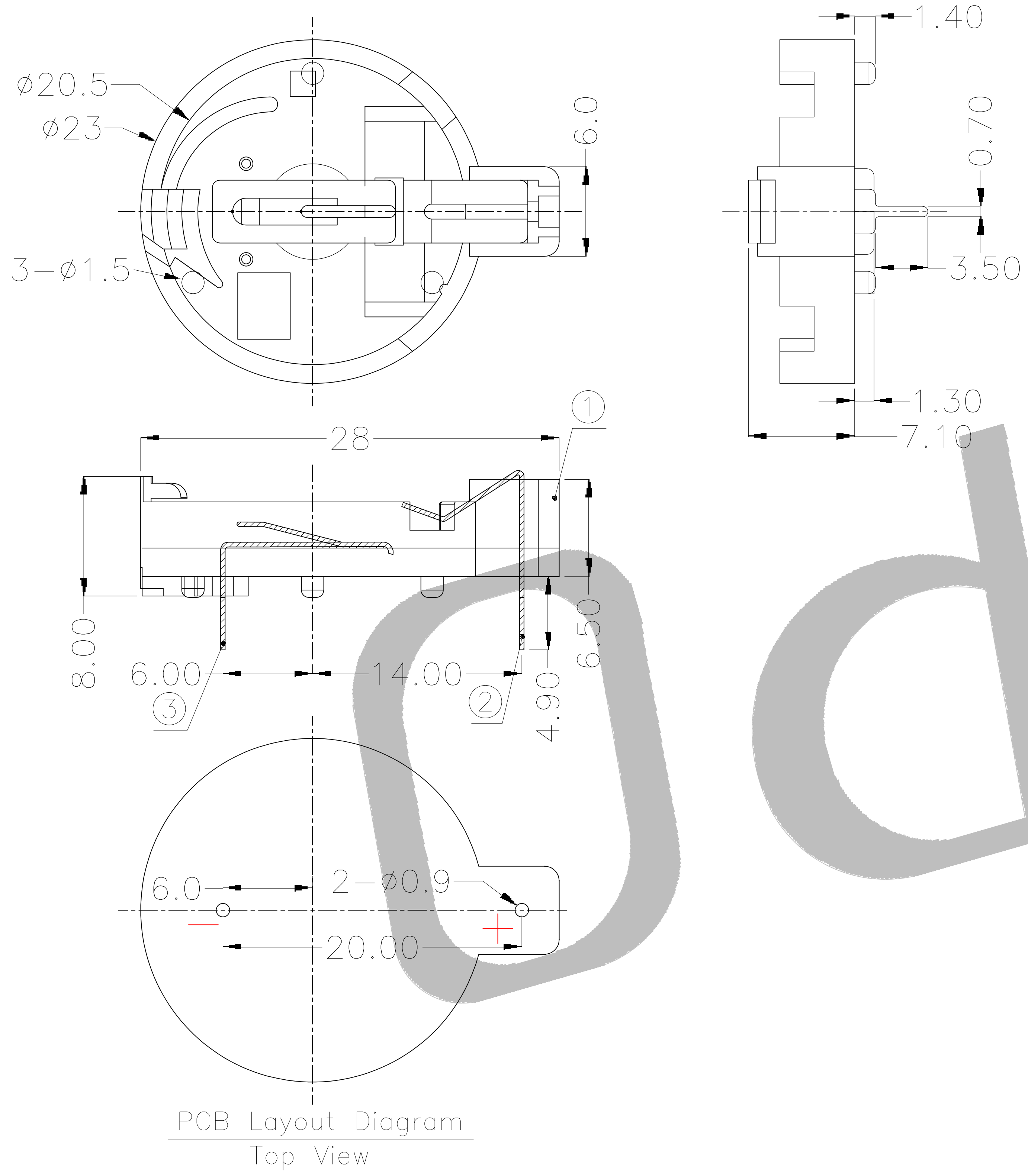
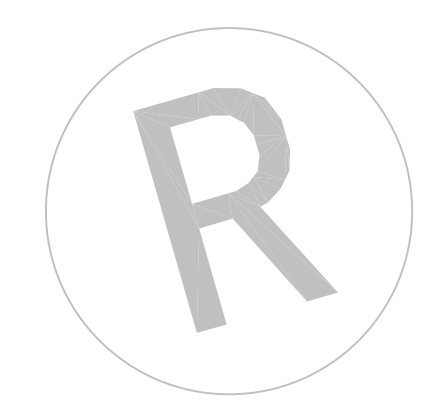


仅供参考 Reference Only



NOTE:
 1.MATERIAL:
 a.HOUSING:PBT
 b.CONTACT:BRASS
 (SURFACE PLATING: Sn100u"-120u")
 SEE ORDERING INFORMATION
 2.ELECTRIC:
 a.CONTACT RESISTANCE: 30 MILLIOHMS MAX
 b.INSULATION RESISTANCE: 1000 MEGA OHMS MIN
 c.DIELECTNIC VOLTAGE: 500V AC ONE SEC LEVEL
 d.OPERATING TEMPERATURE: $-25^{\circ}\text{C} \sim +85^{\circ}\text{C}$



PCB Layout Diagram
Top View

客户品名	
客户料号	
E	
D	
C	
B	
A	RELEASED
REV	ECN.NO.

Units	mm	Scale	2:1
Tolerance Unless Otherwise Specified			
X.X	~	± 0.25	
X.XX	~	± 0.20	
X.XXX	~	± 0.10	
Angle	~	$\pm 0.50^{\circ}$	

Drawing By	Date
Reviewed By	Date
Approvai By	Date

Odia® 广东澳迪亚电子有限公司
[HTTP://WWW.ODIACHINA.COM](http://www.odiachina.com)

Date	2020/5/10	Title	BS-2032-4-1 DIP
Sheet	1 of 1		
Thirt Angle Projection		Drawing No.	REV
		F/Name	A