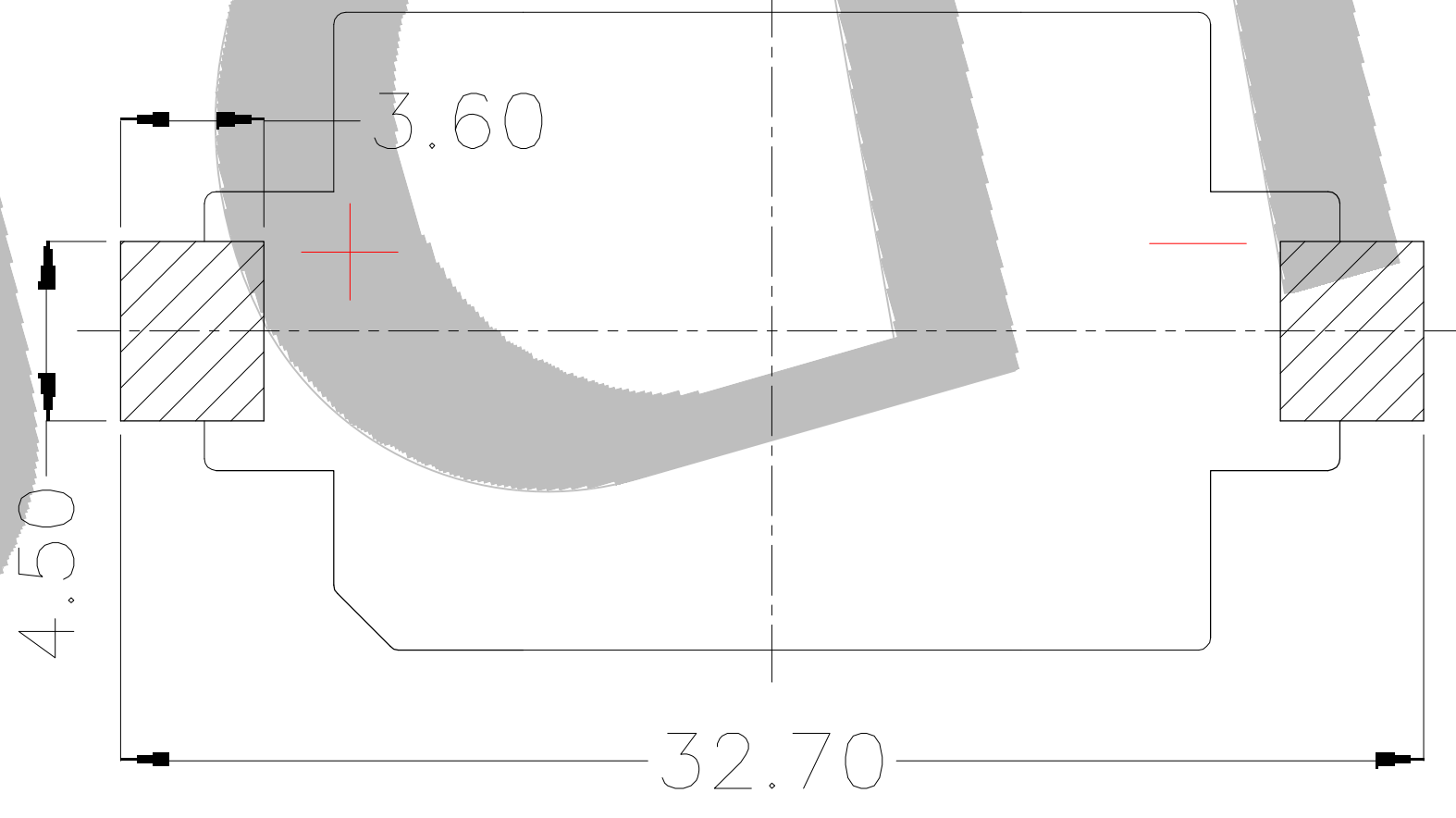
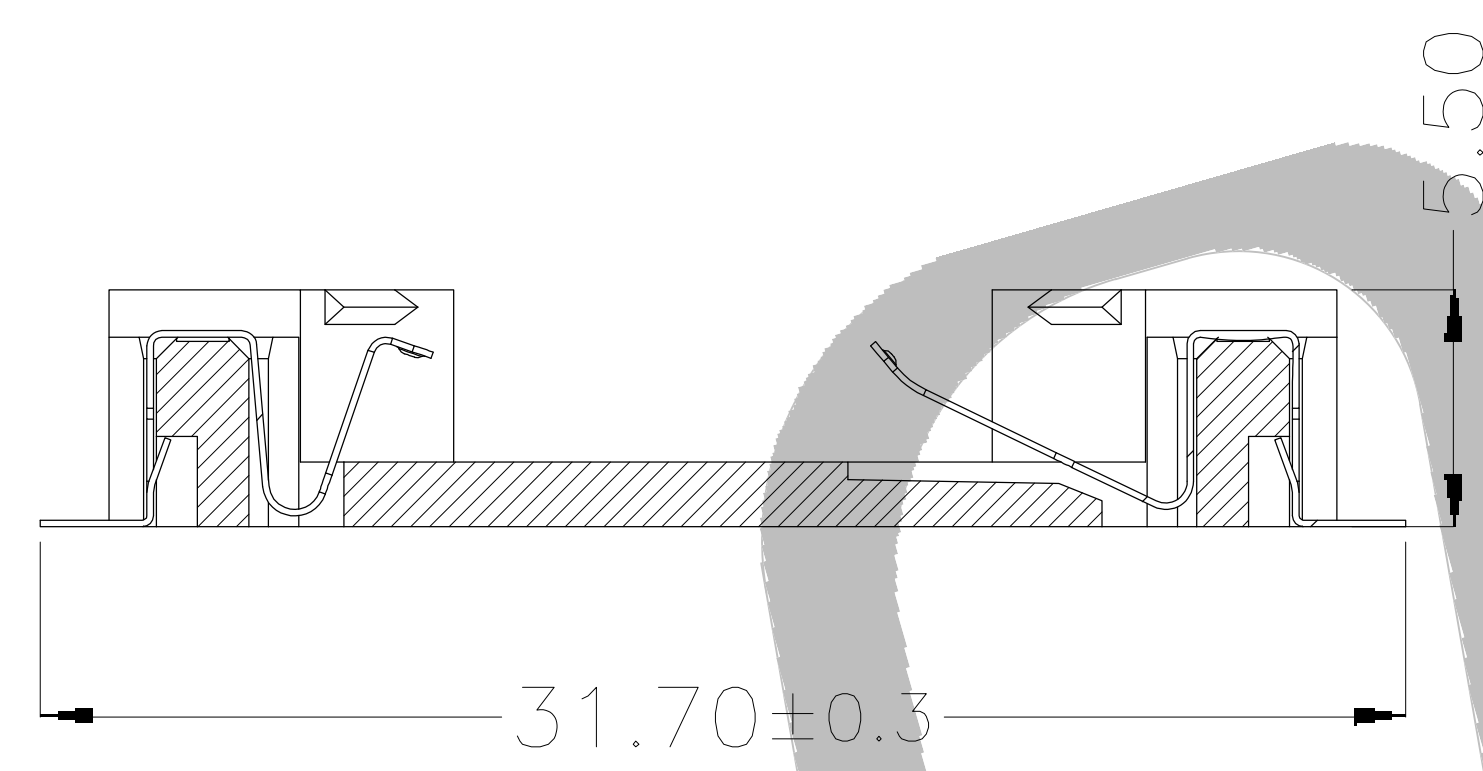
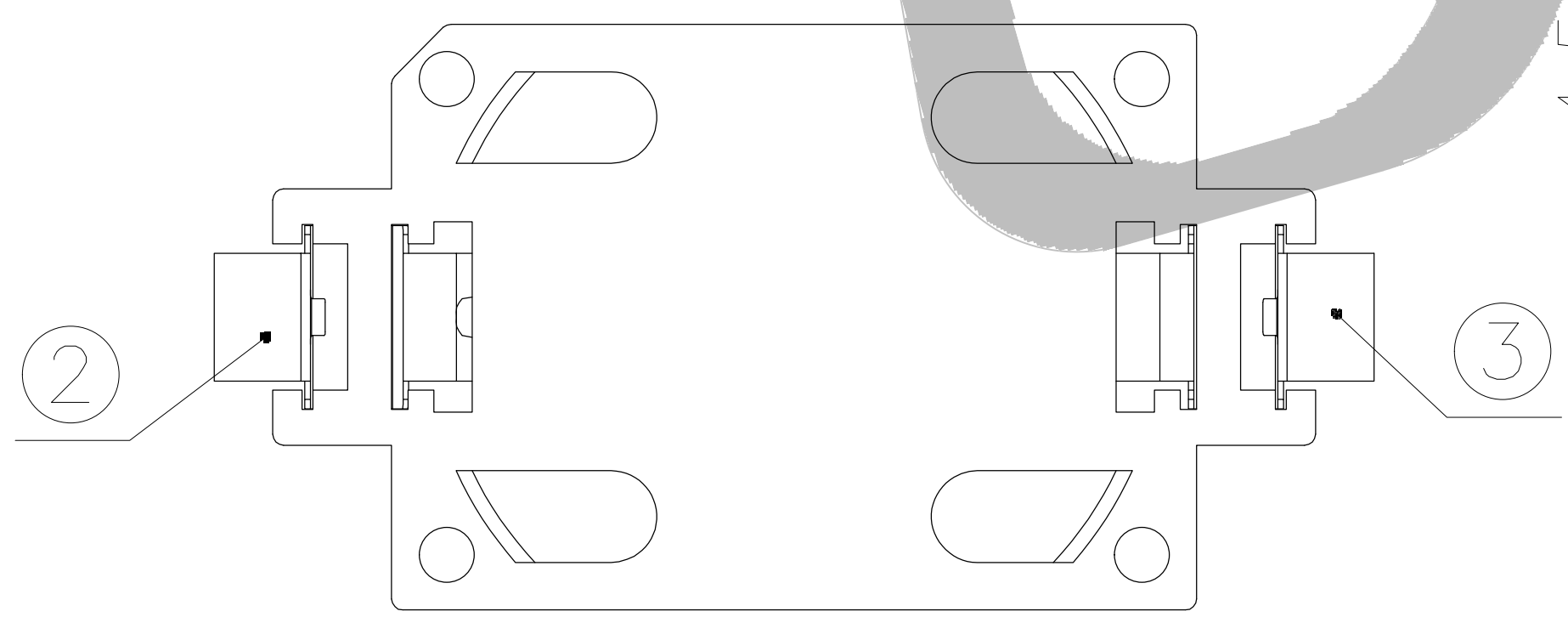


- 1.MATERIAL:
 a.HOUSING:LCP UL94V-0
 b.CONTACT:PHOSPHOR BRONZE
 (SURFACE PLATING:Au1u"
 SEE ORDERING INFORMATION
- 2.ELECTRIC:
 a.CONTACT RESISTANCE: 30 MILLIOHMS MAX
 b.INSULATION RESISTANCE: 1000 MEGA OHMS MIN
 c.DIELECTNIC VOLTAGE: 500V AC ONE SEC LEVEL
 d.OPERATING TEMPERATURE: -25°C~ +85°C



PCB Layout Diagram
Top View



客户品名		
客户料号		
E		
D		
C		
B		
A	RELEASED	2020/5/10
REV	ECN.NO.	Date

Units	mm	Scale	2:1
Tolerance Unless Otherwise Specified			
X.X	~	±0.25	
X.XX	~	±0.20	
X.XXX	~	±0.10	
Angle	~	±0.50°	

Drawing By	Date		
Reviewed By	Date		
Approvai By	Date		

Odia® 广东澳迪亚电子有限公司
 HTTP://WWW.ODIACHINA.COM

Date	2020/5/10	Title	BS-2032-6AuSMT	
Sheet	1 of 1			
Thirt Angle Projection		Drawing No.		REV
		F/Name		A