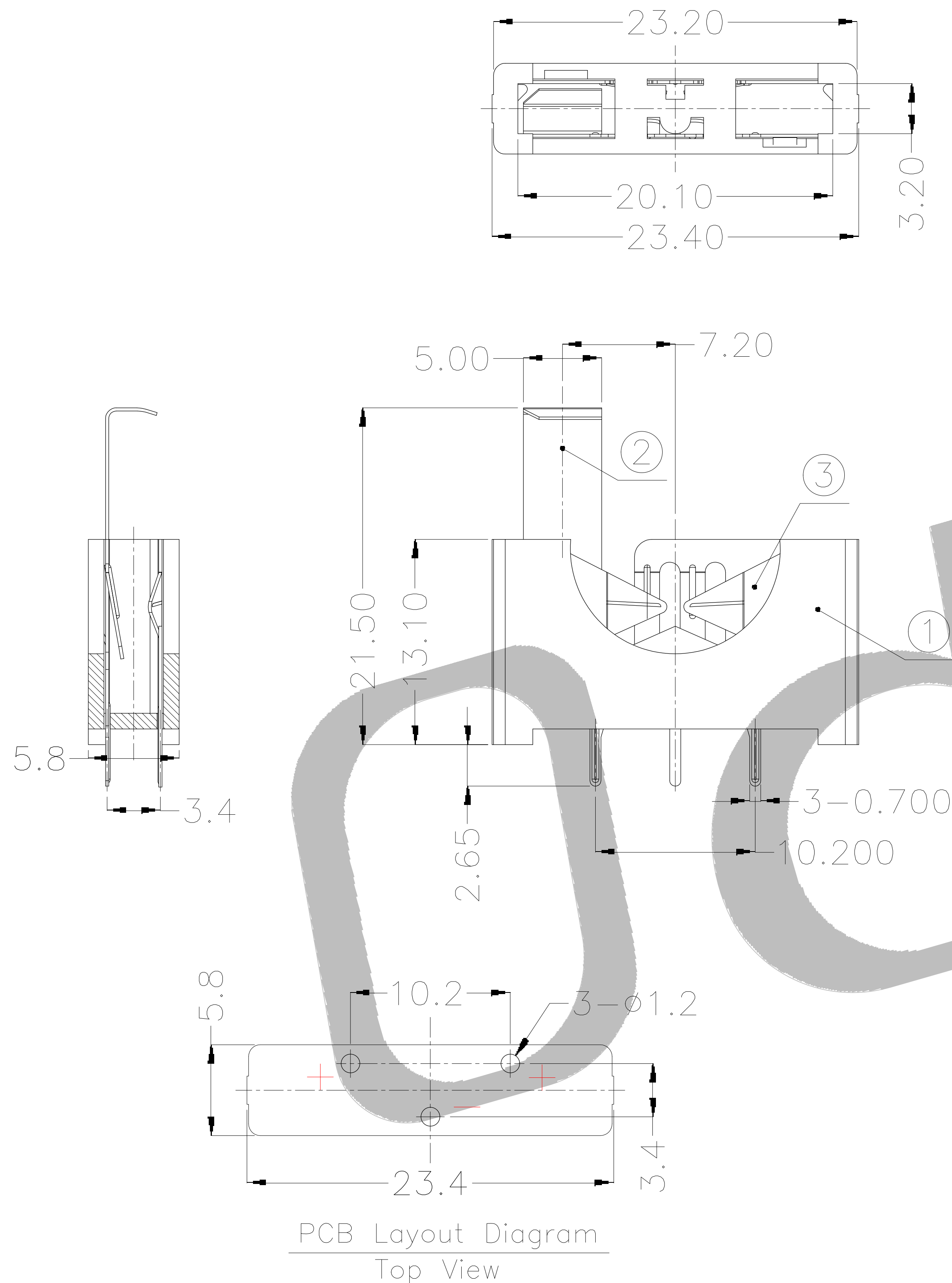


仅供参考 Reference Only



NOTE:

1.MATERIAL:

- a.HOUSING:PBT
- b.CONTACT:PHOSPHOR BRONZE
(SURFACE PLATING: Sn 100u"-120u")
SEE ORDERING INFORMATION

2.ELECTRIC:

- a.CONTACT RESISTANCE: 30 MILLIOHMS MAX
- b.INSULATION RESISTANCE: 1000 MEGA OHMS MIN
- c.DIELECTNIC VOLTAGE: 500V AC ONE SEC LEVEL
- d.OPERATING TEMPERATURE: -25°C~ +85°C

PCB Layout Diagram
Top View

客户品名	
客户料号	
E	
D	
C	
B	
A	RELEASED
REV	ECN.NO.

Units	mm	Scale	2:1
Tolerance Unless Otherwise Specified			
X.X	~	±0.25	
X.XX	~	±0.20	
X.XXX	~	±0.10	
Angle	~	±0.50°	

Drawing By	Date
Reviewed By	Date
Approvai By	Date

Odia® 广东澳迪亚电子有限公司
HTTP://WWW.ODIACHINA.COM

Date	2020/5/10	Title	BS-2032-5-2SnDIP
Sheet	1 of 1		
Thirt Angle Projection		Drawing No.	REV
		F/Name	A