

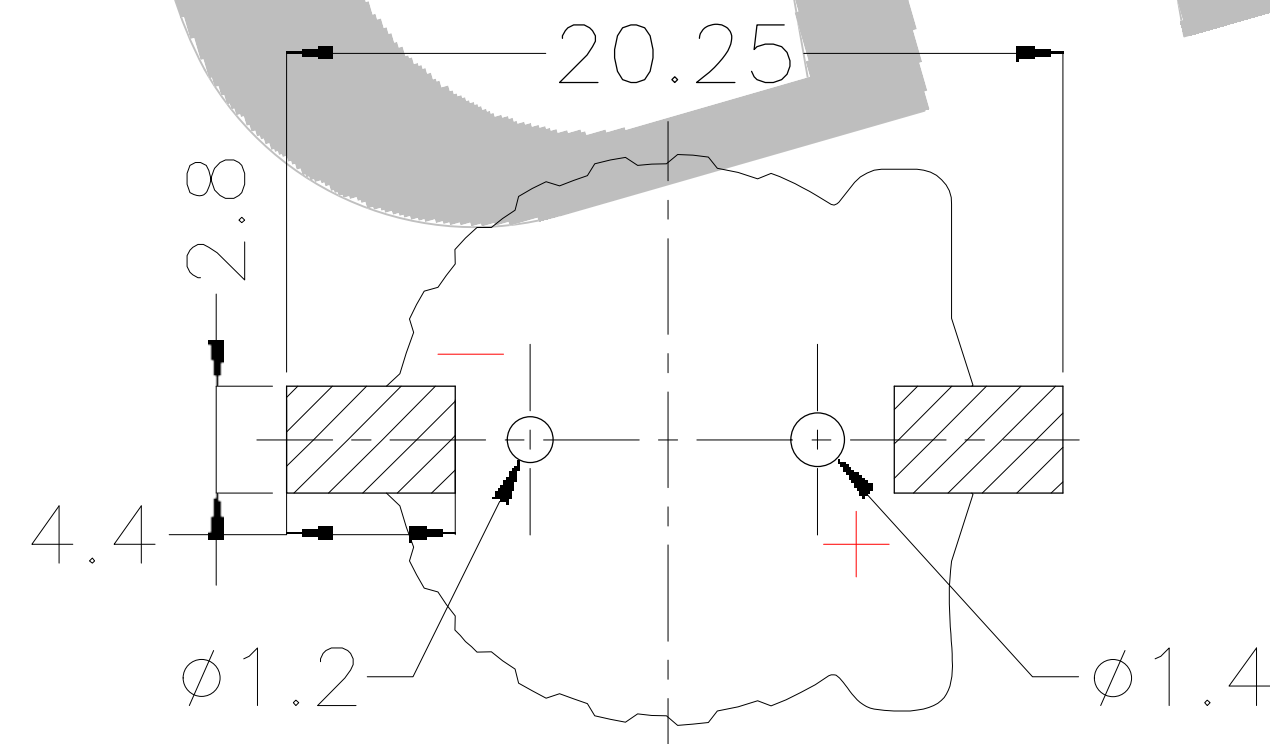
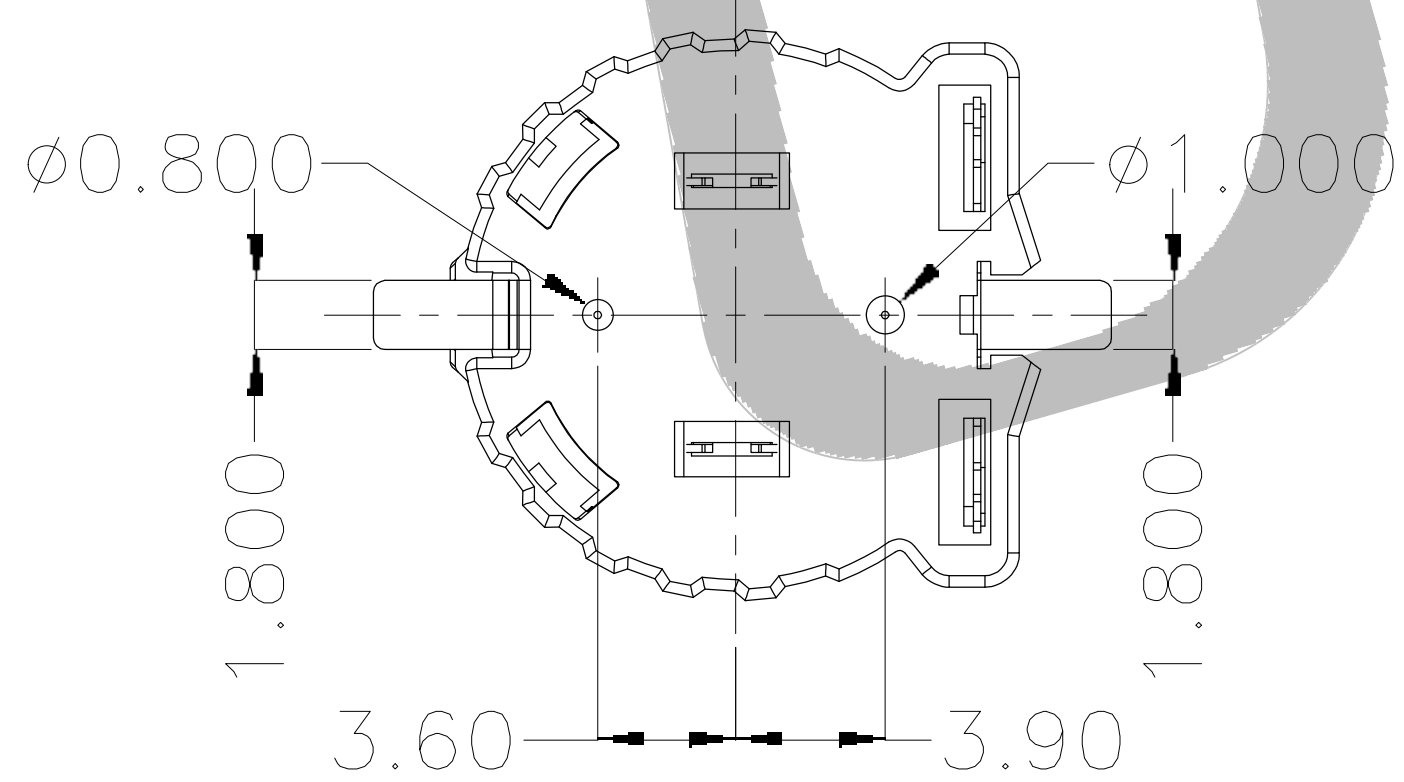
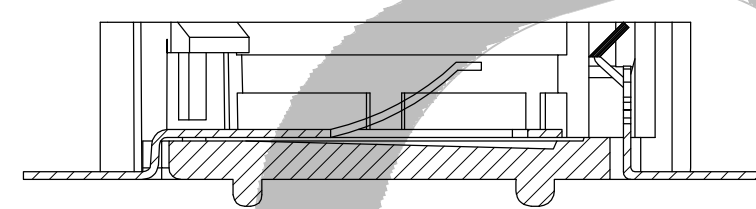
1.MATERIAL:

- a.HOUSING:PPS UL94V-0
- b.CONTACT:PHOSPHOR BRONZE (SURFACE PLATING: Au1 μ "")

SEE ORDERING INFORMATION

2.ELECTRIC:

- a.CONTACT RESISTANCE: 30 MILLIOHMS MAX
- b.INSULATION RESISTANCE: 1000 MEGA OHMS MIN
- c.DIELECTNIC VOLTAGE: 500V AC ONE SEC LEVEL
- d.OPERATING TEMPERATURE: -25°C~ +85°C



PCB Layout Diagram
Top View

E	客户品名	
D	客户料号	
C		
B		
A	RELEASED	2020/5/10
REV	ECN.NO.	Date

Units	mm	Scale	2:1	Drawing By	Date
Tolerance Unless Otherwise Specified				Reviewed By	Date
X.X	~	±0.25		Approval By	Date
X.XX	~	±0.20			
X.XXX	~	±0.10			
Angle	~	±0.50°			

Odia® 广东澳迪亚电子有限公司
HTTP://WWW.ODIACHINA.COM

Date	2020/5/10	Title	BS-1220-2PPSJK
Sheet	1 of 1		
Third Angle Projection		Drawing No.	REV
		F/Name	A