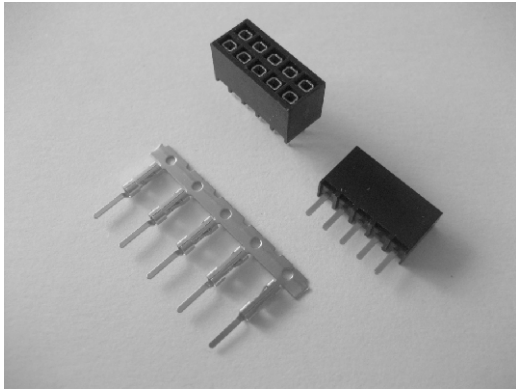


Female Header Pitch:2.54mm
Single/Dual Row, Top Entry /Straight DIP Type

Series
47Q

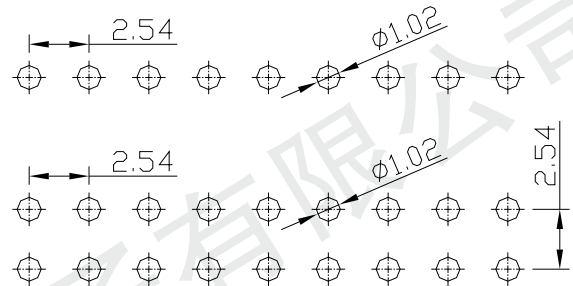
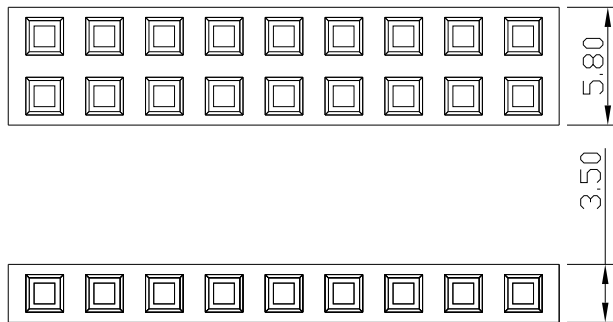
Odia 奥比亚

Tel:(+86)0755-28248661/2/3
Fax:(+86)0755-27857873

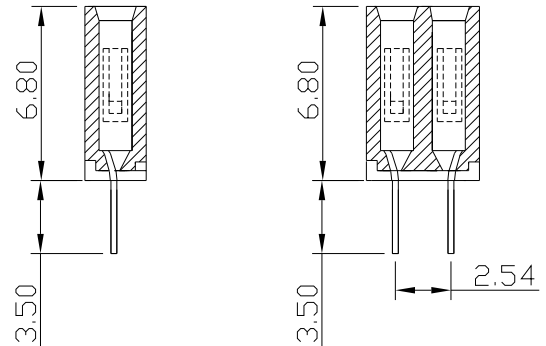
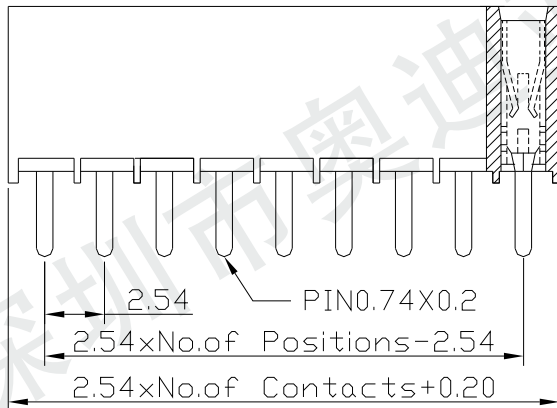


SPECIFICATIONS (技术参数):
 Current Rating (额定电流): 3.0 AMP
 Contact Resistance (接触电阻): 30mΩ Max
 Insulation Resistance (绝缘电阻): 1000MΩ Min
 Withstand Voltage (耐压值): 600VAC/minute
 Operation Temperature (工作温度): -40°C to +105°C

MATERIALS (材质):
 Contact Material (接触件材质): Phosphor Bronze
 Contact Plating (接触件电镀): Gold or Tin over 50 μ "Ni
 Insulator Material (绝缘体材质): Polyester(UL94V-0)
 Standard: PBT



PCB LAYOUT



Ordering Code

① ② ③ ④ ⑤ ⑥ ⑦ ⑧ ⑨ ⑩
47Q 25 B 2 12 S 1 1 1 0

① Series No.:
47Q= Female Header

③ Insulator Height:
B = 6.80mm
C = 6.00mm

② Pitch: 25 = 2.54mm

④ Number of row:
1=Sing row
2=Double row

⑤ Number of Contacts:
Single row=01(1x1)to 40(1x40)
Double row=04(2x2)to 80(2x40)

⑥ Tail & Mounting Style:
S=Straight DIP type

⑦ Contact Plated
0=Tin
1=Gold Flash
2=Gold 3u"
3=Gold 5u"
4=Gold 10u"
5=Gold 15u"
6=Gold 30u"
A=Gold 1.5u"
B=Gold 2u"

⑧ Material Type
0=PPS
1=PBT
2=LCP
3=Nylon-9T
4=Nylon-6T
5=PA46

⑨ Color:1=Black

⑩ Customer Request