

Female Header

Single / Dual Row ;DIP / Right Angle

Pitch:2.54mm

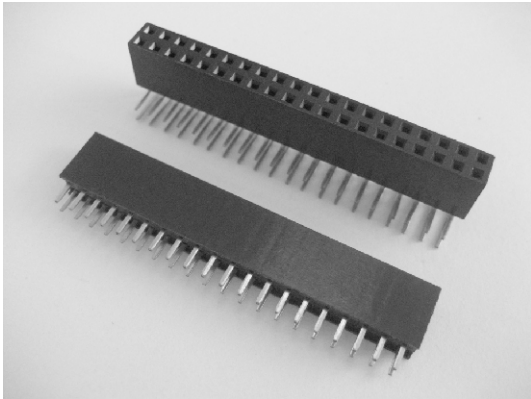
Series

47Y 25

Odia 奥比亚

Tel:(+86)0755-28248661/2/3

Fax:(+86)0755-27857873

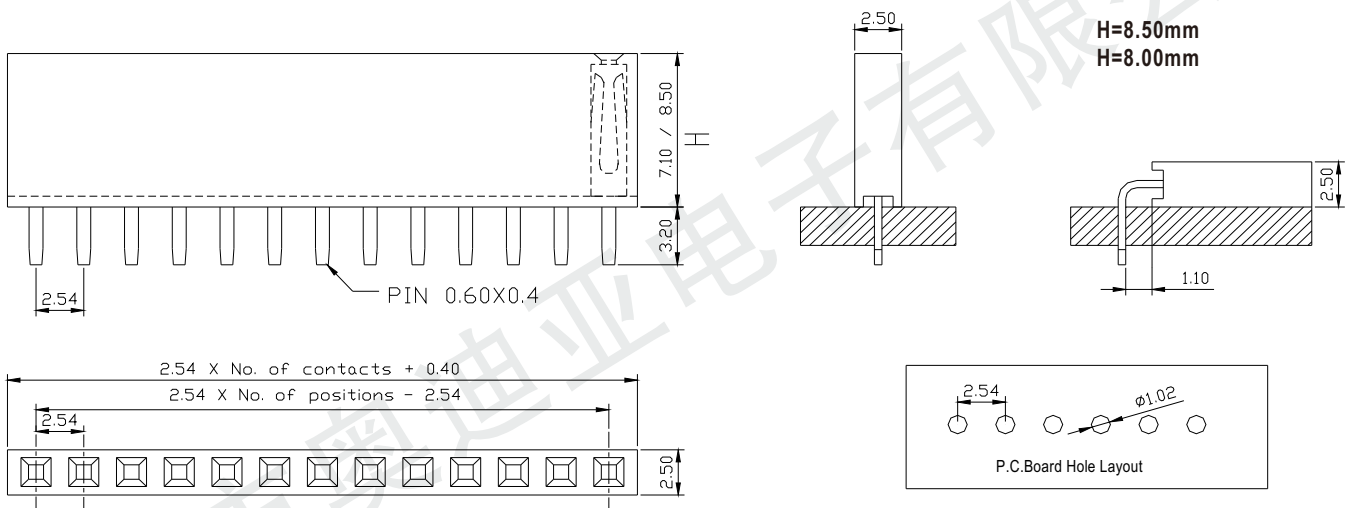


SPECIFICATIONS (技术参数):

Current Rating (额定电流):	3.0 AMP
Contact Resistance (接触电阻):	30mΩ Max
Insulation Resistance (绝缘电阻):	1000MΩ Min
Withstand Voltage (耐压值):	600VAC/minute
Operation Temperature (工作温度):	-40°C to +105°C

MATERIALS (材质):

Contact Material (接触件材质):	Phosphor Bronze
Contact Plating (接触件电镀):	Gold or Tin over 50 μ "Ni
Insulator Material (绝缘体材质):	Polyester(UL94V-0)
	Standard: PBT



Ordering Code

①②③④⑤⑥⑦⑧⑨⑩
47Y25 8 1 20 S 1 1 1 0

① Series No.:
47Y = Female Header

③ Insulator Height(H):
8=8.50mm
B=8.00mm

② Pitch: 25 = 2.54mm

④ Number of row:
1=Sing row
2=Double row

⑤ Number of Contacts:
Single row=01(1x1)to 40(1x40)
Double row=04(2x2)to 80(2x40)

⑥ Tail & Mounting Style:
S=Straight DIP type
R=Right Angle Dip type
M=Straight SMT type

⑦ Contact Plated
0=Tin
1=Gold Flash
2=Gold 3u"
3=Gold 5u"
4=Gold 10u"
5=Gold 15u"
6= Gold 30u"
A=Gold 1.5u"
B=Gold 2u"

⑧ Material Type
0=PPS
1=PBT
2=LCP
3=Nylon-9T
4=Nylon-6T
5=PA46

⑨ Color: 1=Black

⑩ Customer Request