

Pin Header

Dual Row/Right Angle DIP Type

Pitch:2.54mm

Series

461 25

Odia 奥比亚

Tel:(+86)0755-28248661/2/3

Fax:(+86)0755-27857873

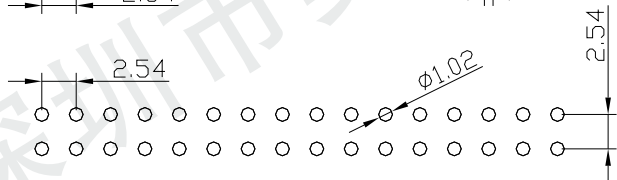
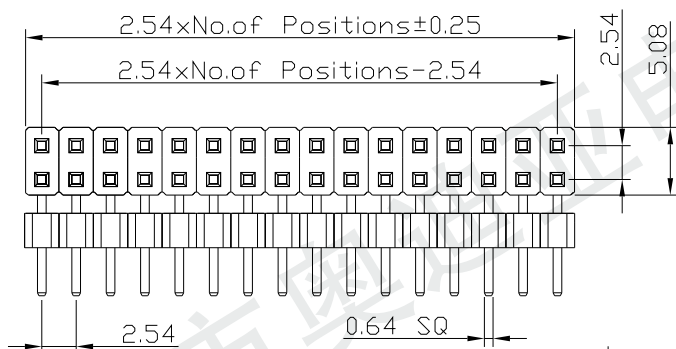
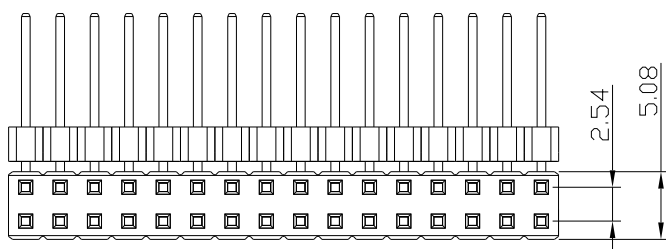


SPECIFICATIONS (技术参数):

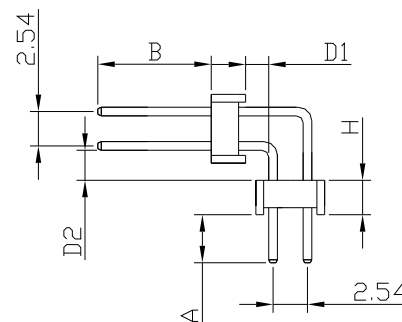
Current Rating (额定电流):	3.0 AMP
Contact Resistance (接触电阻):	30mΩ Max
Insulation Resistance (绝缘电阻):	1000MΩ Min
Withstand Voltage (耐压值):	600VAC/minute
Operation Temperature (工作温度):	-40°C to +105°C

MATERIALS(材质):

Contact Material (接触件材质):	Copper Alloy
Contact Plating (接触件电镀):	Gold or Tin over 50 μ "Ni
Insulator Material (绝缘体材质):	Polyester(UL94V-0)
	Standard: PBT



PCB LAYOUT



Ordering Code

① ② ③ ④ ⑤ ⑥ ⑦ ⑧ ⑨ ⑩
461 25 1 2 20 R 1 4 2 0

① Series No.: 461 = Pin Header
② Pitch: 25= 2.54mm
③ Insulator Height: 1 = 2.50mm

④ Number of row:
1=Sing row
2=Double row

⑤ Number of Contacts:
Single row=01(1x1)to 40(1x40)
Double row=04(2x2)to 80(2x40)

⑥ Tail & Mounting Style:
R=Right Angle DIP Type

⑦ Contact Plated
0=Tin
2=Gold 3u"
4=Gold 10u"
6= Gold 30u"
B=Gold 2u"
1=Gold Flash
3=Gold 5u"
5=Gold 15u"
A=Gold 1.5u"

⑧ Material Type
0=PPS
2=LCP
4=Nylon-6T
5=PA46

⑨ Tiers of Body
2 = Double tier

⑩ Customer Request