

Female Header

Single / Dual Row ; Bottom Entry

Pitch: 2.00 x 2.00mm

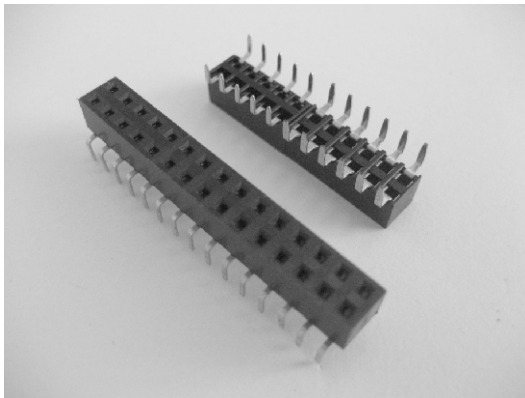
Series

47D 20

Odia 奥比亚

Tel: (+86)0755-28248661/2/3

Fax: (+86)0755-27857873

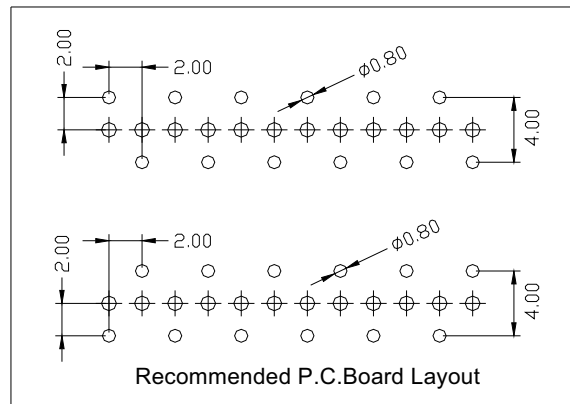
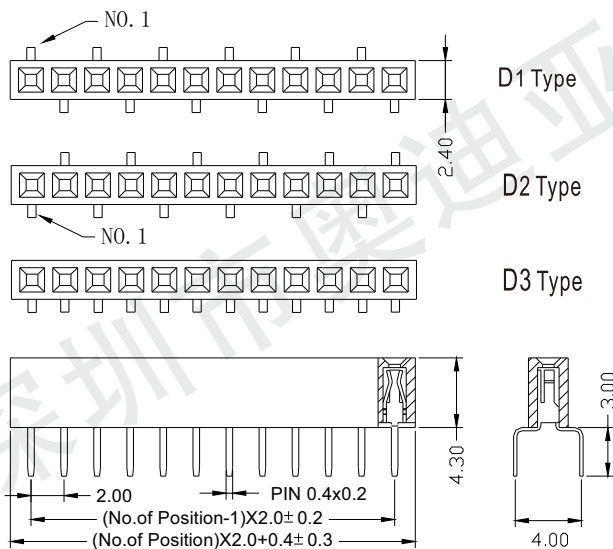
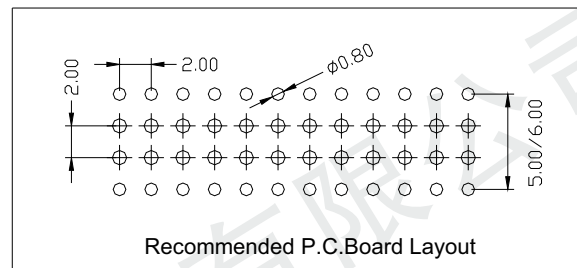
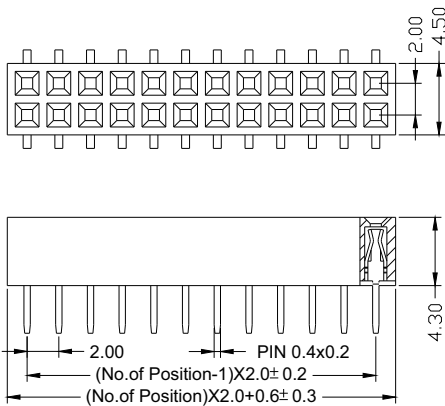


SPECIFICATIONS (技术参数):

Current Rating (额定电流): 2.0 AMP
 Contact Resistance (接触电阻): 30mΩ Max
 Insulation Resistance (绝缘电阻): 1000MΩ Min
 Withstand Voltage (耐压值): 500VAC/minute
 Operation Temperature (工作温度): -40°C to +105°C

MATERIALS (材质):

Contact Material (接触件材质): Phosphor Bronze
 Contact Plating (接触件电镀): Gold or Tin over 50 μ "Ni
 Insulator Material (绝缘体材质): Polyester(UL94V-0)
 Standard: PA66



Ordering Code

① ② ③ ④ ⑤ ⑥ ⑦ ⑧ ⑨ ⑩
 47D20 4 2 10 B 1 4 1 0

① Series No.:
 47D = Female Header

③ Insulator Height:
 4 = 4.3mm
 6 = 4.6mm

② Pitch: 20 = 2.00mm

④ Number of row:
 1=Sing row
 2=Double row

⑤ Number of Contacts:
 Single row=01(1x1)to 40(1x40)
 Double row=04(2x2)to 80(2x40)

⑥ Tail & Mounting Style:
 B=Bottom Entry

⑦ Contact Plated
 0=Tin
 1=Gold Flash
 2=Gold 3u"
 3=Gold 5u"
 4=Gold 10u"
 5=Gold 15u"
 6= Gold 30u"
 A=Gold 1.5u"
 B=Gold 2u"

⑧ Material Type
 0=PPS
 1=PBT
 2=LCP
 3=Nylon-9T
 4=Nylon-6T
 5=PA46

⑨ Color: 1=Black

⑩ Customer Request