

Female Header

Single / Dual Row; Straight DIP Type

Pitch: 1.27mm

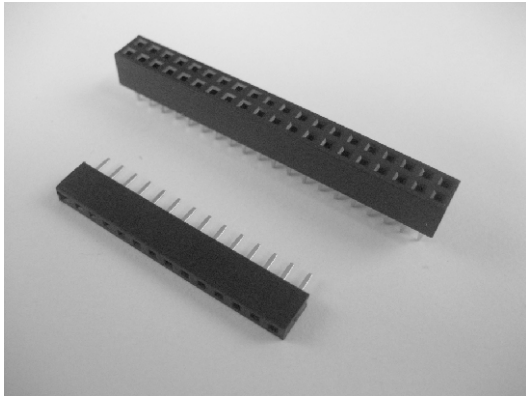
Series

47U 12

Odia 奥比亚

Tel: (+86)0755-28248661/2/3

Fax: (+86)0755-27857873

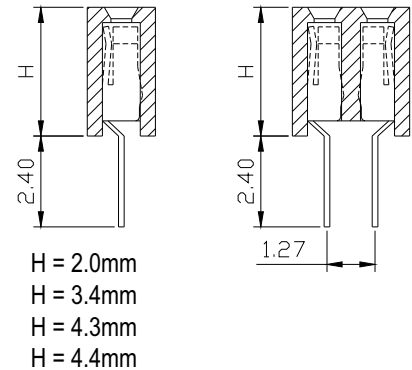
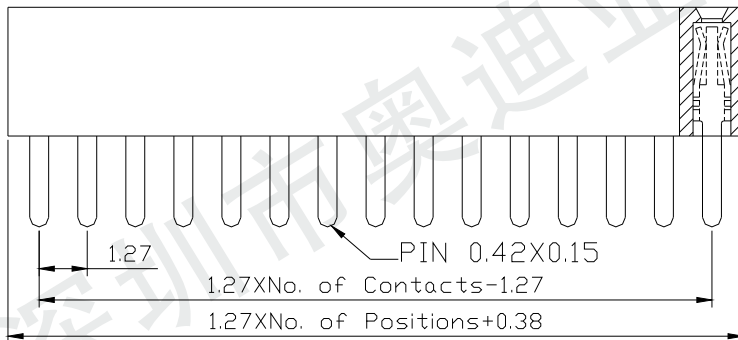
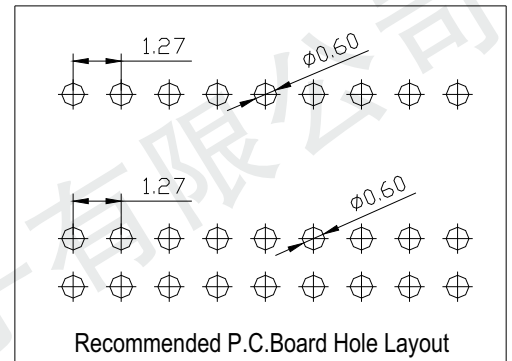
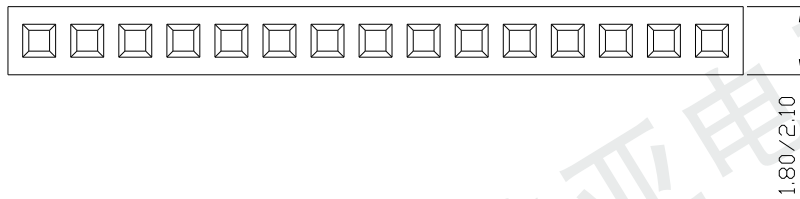
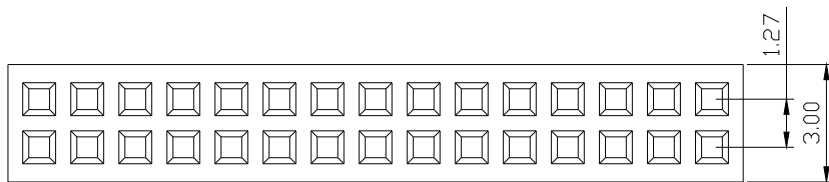


SPECIFICATIONS (技术参数):

Current Rating (额定电流): 1.0 A
 Withstand Voltage (耐压值): 600V AC/Min
 Insulation Resistance (绝缘电阻): 1000MΩ Min
 Contact Resistance (接触电阻): 30mΩ Max
 Operation Temperature (工作温度): -40°C to +105°C

MATERIALS (材质):

Contact Material (接触件材质): Phosphor Bronze of Brass
 Contact Plating (接触件电镀): Gold or Tin over 50u"Ni
 Insulator (绝缘体材质): PBT OR PA6T(UL94V-0)



Ordering Code

① ② ③ ④ ⑤ ⑥ ⑦ ⑧ ⑨ ⑩
 47U 12 4 2 50 S 1 4 1 0

① Series No.:
 47U= Female Header

② Pitch: 12 = 1.27mm

③ Insulator Height:
 2 = 2.0mm
 3 = 3.4mm
 4 = 4.3mm
 5 = 4.4mm
 6 = 4.6mm

④ Number of row:
 1=Sing row
 2=Double row

⑤ Number of Contacts:
 Single row=01(1x1)to 50(1x50)
 Double row=04(2x2)to 100(2x50)

⑥ Tail & Mounting Style:
 S= Straight DIP type

⑦ Contact Plated
 0= Tin
 1= Gold Flash
 2= Gold 3u"
 3= Gold 5u"
 4= Gold 10u"
 5= Gold 15u"
 6= Gold 30u"
 A= Gold 1.5u"
 B= Gold 2u"

⑧ Material Type
 0= PPS
 1= PBT
 2= LCP
 3= Nylon-9T
 4= Nylon-6T
 5= PA46

⑨ Color: 1= Black
 ⑩ Customer Request