

Pin Header

Single Row/ Right Angle SMT Type

Pitch:2.00mm

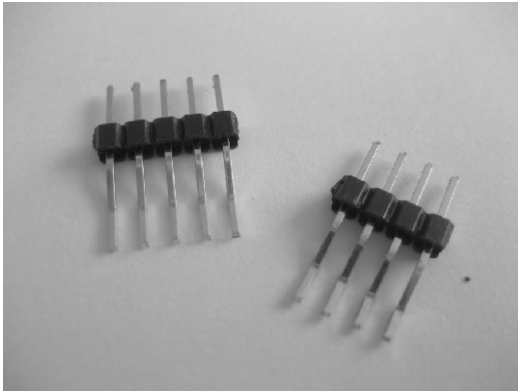
Series

46620

Odia 奥比亚

Tel:(+86)0755-28248661/2/3

Fax:(+86)0755-27857873

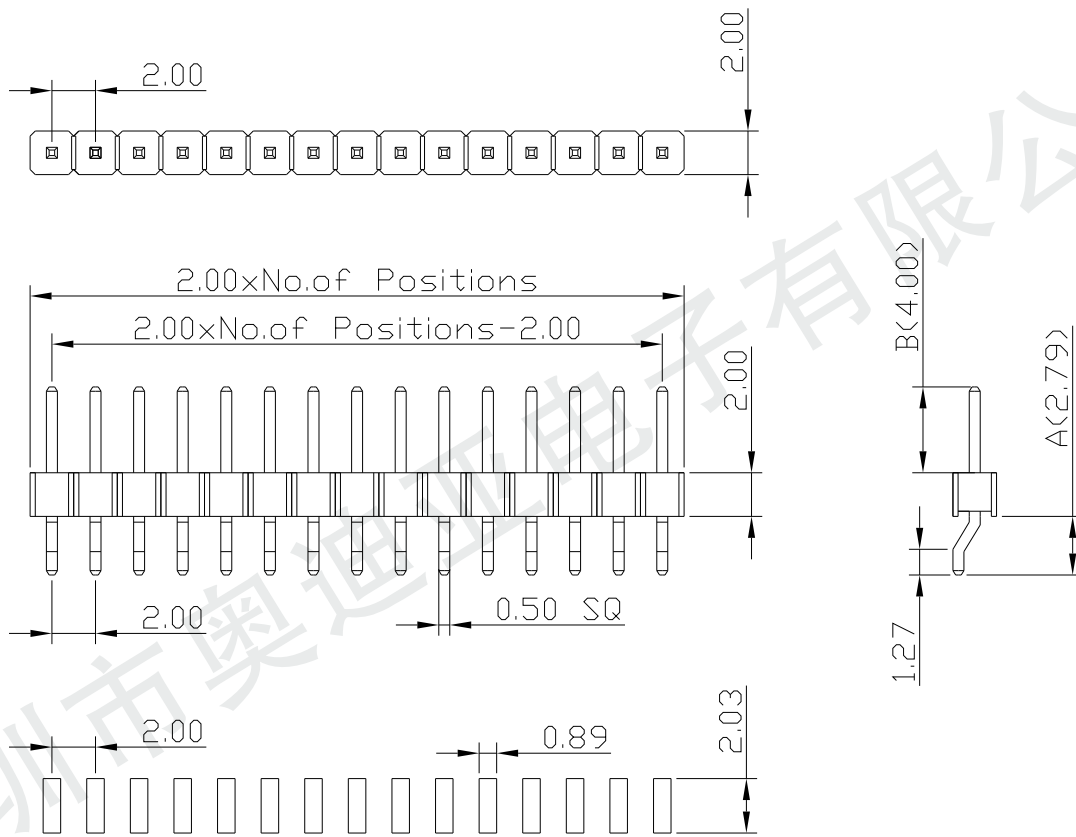


SPECIFICATIONS (技术参数):

Current Rating (额定电流):	2.0 AMP
Contact Resistance (接触电阻):	30mΩ Max
Insulation Resistance (绝缘电阻):	1000MΩ Min
Withstand Voltage (耐压值):	500VAC/minute
Operation Temperature (工作温度):	-40°C to +105°C

MATERIALS(材质):

Contact Material (接触件材质):	Copper Alloy
Contact Plating (接触件电镀):	Gold or Tin over 50 μ "Ni
Insulator Material (绝缘体材质):	Polyester(UL94V-0)
	Standard: PBT



PCB LAYOUT

Ordering Code

① ② ③ ④ ⑤ ⑥ ⑦ ⑧ ⑨

466 20 2 1 06 M 2 5 1

- ① Series No.: 466 = Pin Header
- ② Pitch: 20 = 2.00mm
- ③ Insulator Height: 2 = 2.00mm, 1 = 1.50mm

- ④ Number of row: 1=Sing row, 2=Double row
- ⑤ Number of Contacts: Single row=01(1x1)to 40(1x40), Double row=04(2x2)to 80(2x40)
- ⑥ Tail & Mounting Style: M=Straight SMT type
- ⑦ Contact Plated: 0=Tin, 1=Gold Flash, 2=Gold 3u", 3=Gold 5u", 4=Gold 10u", 5=Gold 15u", 6= Gold 30u", A=Gold 1.5u", B=Gold 2u"
- ⑧ Material Type: 0=PPS, 1=PBT, 2=LCP, 3=Nylon-9T, 4=Nylon-6T, 5=PA46
- ⑨ Tiers of Body: 1 = Single tier, 2 = Double tier, 3 = Triple tier